

Modern floodlight for LED light source.

<b>TECHNICAL DATA</b>	<b>Mounting:</b> on the adjustable holder, on the substrate <b>Body:</b> high pressure die-cast aluminum <b>Colour:</b> gray <b>Diffuser:</b> tempered glass
<b>ELECTRICAL DATA</b>	<b>Power supply efficiency:</b> >85% <b>Power:</b> 220-240V 50/60Hz <b>Includes light source:</b> yes <b>Type of equipment:</b> ED <b>Electrical connection:</b> max 3x1 mm <sup>2</sup> wire with a length of 1.8 m
<b>OPTICAL DATA</b>	<b>Light distribution:</b> circular, asymmetric-narrow, asymmetric-wide <b>Way of lighting:</b> direct <b>Type of optic:</b> lens
<b>GENERAL DATA</b>	<b>Lifetime (L80B10):</b> 100 000 h <b>Available on request:</b> DALI, DIM 1..10V <b>Other remarks:</b> IP68 connector required <b>Warranty:</b> 5 years <b>Application:</b> building facades, facades, parking areas, sport facilities, industrial facilities, warehouses



Code	Luminaire power [W]	Lumen luminaire [lm]	Efficacy [lm/W]	Colour temperature [K]	CRI/Ra	Operating temperature range [°C]
120212.5L011.X1	25	3300	132	4000	>70	-40 ... +55
120212.5L021.X1	25	3300	132	5700	>70	-40 ... +55
120212.5L041.X1	45	5500	122	4000	>70	-40 ... +40
120212.5L051.X1	45	5500	122	5700	>70	-40 ... +40
120212.5L071.X1	54	6450	119	4000	>70	-40 ... +35
120212.5L081.X1	54	6450	119	5700	>70	-40 ... +35
120212.5L101.X1	70	7700	110	4000	>70	-40 ... +33
120212.5L111.X1	70	7700	110	5700	>70	-40 ... +33

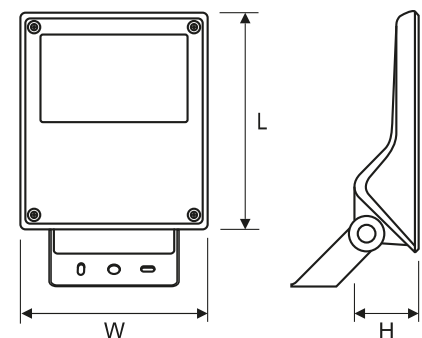
120212.5L011.X1



Beam angle

- 1 25°
- 2 50°
- 3 narrow
- 4 wide

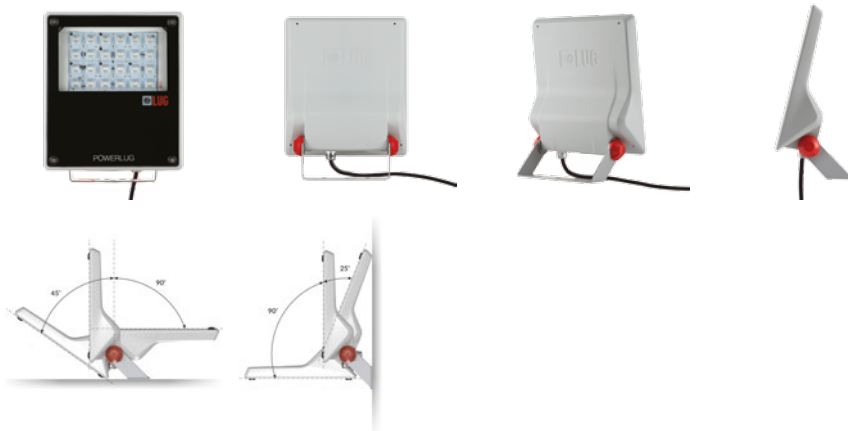
Code	Dimensions [mm] L W H	Pallet quantity	Quantity in package	Net weight [kg]
120212.5L011.X1	272 238 73	153	1	3.5
120212.5L021.X1	272 238 73	153	1	3.5
120212.5L041.X1	272 238 73	153	1	3.7
120212.5L051.X1	272 238 73	153	1	3.7
120212.5L071.X1	272 238 73	153	1	3.8
120212.5L081.X1	272 238 73	153	1	3.8
120212.5L101.X1	272 238 73	153	1	3.9
120212.5L111.X1	272 238 73	153	1	3.9



Luminous flux tolerance +/- 10%.  
Power tolerance +/- 5%.

Lighting beam, light intensity distribution and light efficiency were examined in accordance with the EN ISO 17025:2005 norm for EN13032 norm series and the LM-79 norm.  
The luminous flux on the datasheet varies depending on the beam angle, which also affects the luminaire efficacy. Detailed information on each luminaire index is available on our website.

## OTHER PICTURES



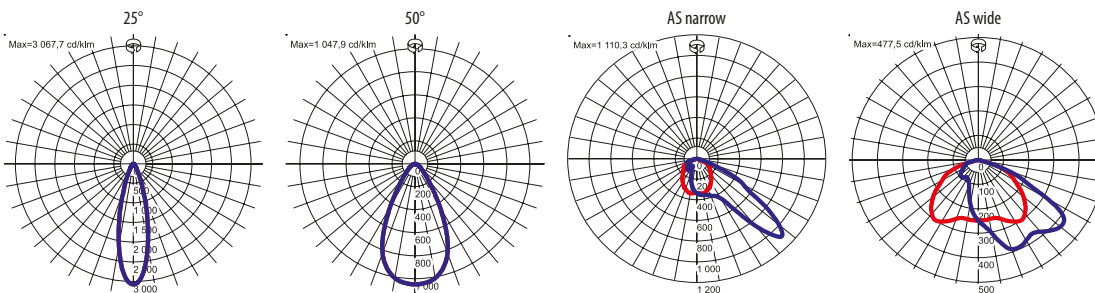
## ACCESSORIES



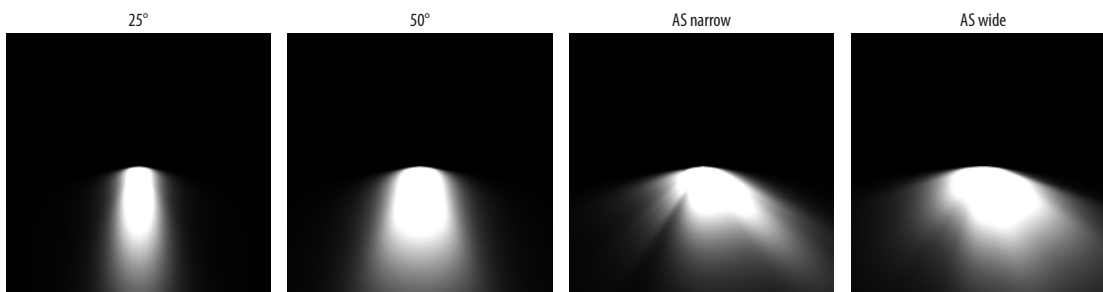
150160.00924

IP68 hermetic connector

## LIGHT BEAM CURVES



## WAY OF LIGHTING



Luminous flux tolerance +/- 10%.

Power tolerance +/- 5%.

Lighting beam, light intensity distribution and light efficiency were examined in accordance with the EN ISO 17025:2005 norm for EN13032 norm series and the LM-79 norm.

The luminous flux on the datasheet varies depending on the beam angle, which also affects the luminaire efficacy. Detailed information on each luminaire index is available on our website.